

SDA Series Thin Type Cylinder



Ordering code

SDA - **20** **X** **30** - **S** - **LB**

Type
 SDA: Double acting
 SSA: Single acting extrusion type
 STA: Single acting drawing-in type
 SDAD: Double-shaft type

Bore

Stroke

Magnet
 S: With magnet
 Blank: Without magnet

Thread
 Blank: Female thread
 B: Male thread
 N: No thread

Specifications

Bore (mm)		12	16	20	25	32	40	50	63	80	100	
Operation		Double acting										
		Single acting extrusion type					Single acting drawing-in type			-		
Fluid		Air										
Operating pressure	Double acting	1.0~9.0 Kg/cm ²										
	Single acting	2.0~9.0 Kg/cm ²					-					
Proof pnessure		10.5 Kg/cm ²										
Operating temperature		0~70°C										
Operating piston speed	Double acting	30~500 mm/s					30~350 mm/s			30~250 mm/s		
	Single acting	100~500 mm/s										
Port size		M5×0.8					G1/8"			G1/4"		G3/8"

Stroke

Bore (mm)		12	16	20	25	32	40	50	63	80	100
Double acting	Without magnet	5~60 mm Every 5mm is grouped as one grade	5~85 mm Every 5mm is grouped as one grade	5~90 mm Every 5mm is grouped as one grade	100~110 mm Every 5mm is grouped as one grade	5~90 mm Every 5mm is grouped as one grade	100~130 mm Every 5mm is grouped as one grade				
	With magnet	5~50 mm Every 5mm is grouped as one grade	5~75mm Every 5mm is grouped as one grade	5~90 mm Every 5mm is grouped as one grade	100mm	5~90 mm Every 5mm is grouped as one grade	100~120 mm Every 5mm is grouped as one grade				
Single acting	Without magnet	5~30 mm Every 5mm is grouped as one grade					5~30 mm Every 5mm is grouped as one grade			-	
	With magnet	5~30 mm Every 5mm is grouped as one grade					5~30 mm Every 5mm is grouped as one grade			-	
Max. Stroke		60mm		100mm		120mm			130mm		



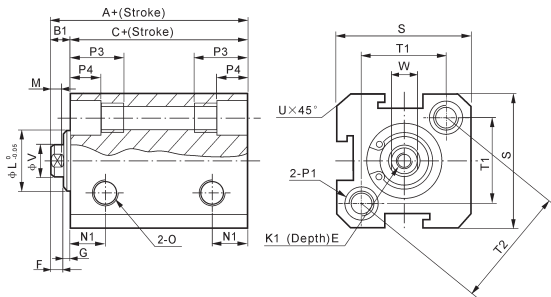
VOGUE PNEUMATICS

Ningbo Vogue Pneumatics Industry Co., Ltd.

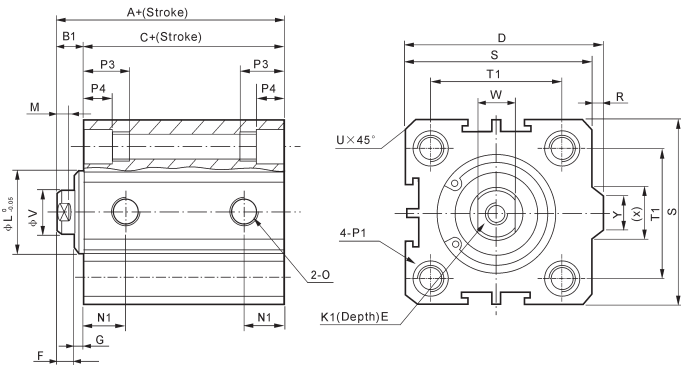
SDA Series Thin Type Cylinder

● Dimensions

SDA12-16



SDA20-100



Type Bore / Symbol	Standard type			With magnet			B	E	F	G	K1	L	M	N1	N3	O				
	A	B1	C	A	B1	C														
12	22	5	17	32	5	27	-	6	4	1	M3×0.5	10.2	2.8	6.3	6	M5×0.8				
16	24	5.5	18.5	34	5.5	28.5	-	6	4	1.5	M3×0.5	11	2.8	7.3	6.5	M5×0.8				
20	25	5.5	19.5	35	5.5	29.5	36	8	4	1.5	M4×0.7	16	2.8	7.5	-	M5×0.8				
25	27	6	21	37	6	34	42	10	4	2	M5×0.8	17	2.8	8	-	M5×0.8				
32	31.5	7	24.5	41.5	7	34.5	50	12	4	3	M6×1	22	2.8	9	-	G1/8				
40	33	7	26	43	7	36	58.5	12	4	3	M8×1.25	28	2.8	10	-	G1/8				
50	37	9	28	47	9	38	71.5	15	5	4	M10×1.5	38	2.8	10.5	-	G1/4				
63	41	9	32	51	9	42	84.5	15	5	4	M10×1.5	40	2.8	11.8	-	G1/4				
80	52	11	41	62	11	51	104	15	6	5	M14×1.5	45	4	14.5	-	G3/8				
100	63	12	51	73	12	61	124	18	7	5	M18×1.5	55	4	20.5	-	G3/8				
Bore / Symbol	P1						P3	P4	R	S	T1	T2	U	V	W	X	Y			
12	Double side: φ 6.5			Thread : M5×0.8			Through hole: φ 4.2			12	4.5	-	25	16.2	23	1.6	6	5	-	-
16	Double side: φ 6.5			Thread : M5×0.8			Through hole: φ 4.2			12	4.5	-	29	19.8	28	1.6	6	5	-	-
20	Double side: φ 6.5			Thread : M5×0.8			Through hole: φ 4.2			14	4.5	2	34	24	-	2.1	8	6	11.3	10
25	Double side: φ 8.2			Thread : M6×1.0			Through hole: φ 4.6			15	5.5	2	40	28	-	3.1	10	8	12	10
32	Double side: φ 8.2			Thread: M6×1.0			Through hole: φ 4.6			16	5.5	6	44	34	-	2.15	12	10	18.3	15
40	Double side: φ 10			Thread : M8×1.25			Through hole: φ 6.5			20	7.5	6.5	52	40	-	2.25	16	14	21.3	16
50	Double side: φ 11			Thread : M8×1.25			Through hole: φ 6.5			25	8.5	9.5	62	48	-	4.15	20	17	30	20
63	Double side: φ 11			Thread : M8×1.25			Through hole: φ 6.5			25	8.5	9.5	75	60	-	3.15	20	17	28.7	20
80	Double side: φ 14			Thread: M12×1.75			Through hole: φ 9.2			25	10.5	10	94	74	-	3.65	25	22	36	26
100	Double side: φ 17.5			Thread : M12×1.75			Through hole: φ 11.3			30	13	10	114	90	-	3.65	32	27	35	26



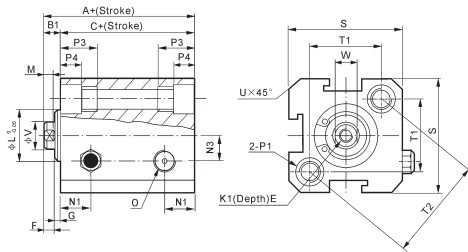
EXECUTION COMPONENT

TEL:0086-574-88870283

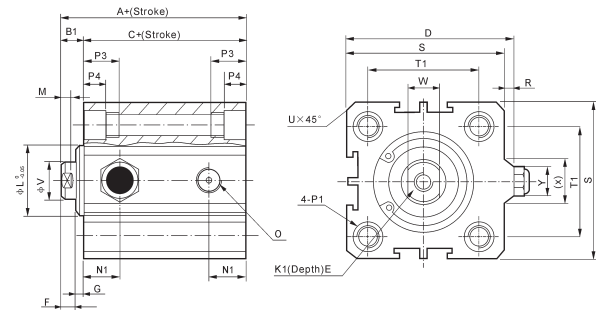
SDA Series Thin Type Cylinder

● Dimensions

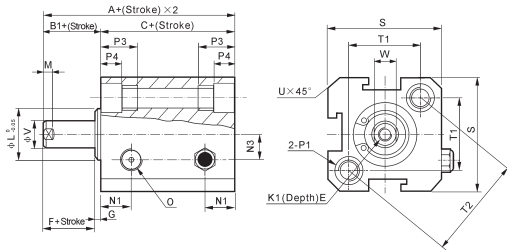
SSA12-16



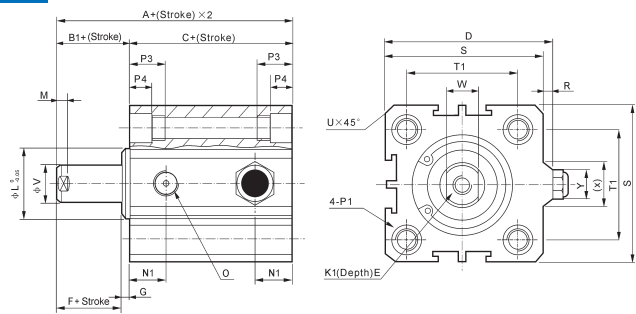
SSA20-40



STA12-16



STA20-40

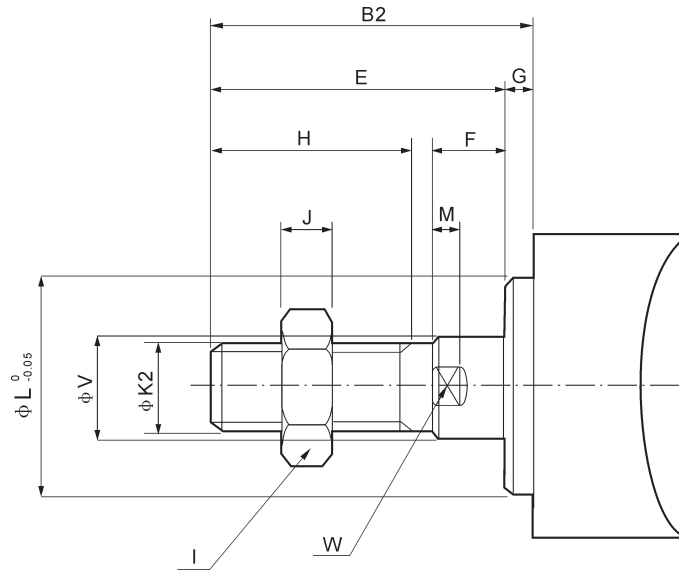


Type Bore /Symbol Stroke	Standard type				With magnet				D	E	F	G	K1	L	M	N1	N3		
	A		B1	C		A		B1										C	
	≤10	>10		≤10	>10	≤10	>10											≤10	>10
12	32	42	5	27	37	42	52	5	37	47	-	6	4	1	M3×0.5	10.2	2.8	6.3	6
16	34	44	5.5	28.5	38.5	44	54	5.5	38.5	48.5	-	6	4	1.5	M3×0.5	11	2.8	7.3	6.5
20	35	45	5.5	29.5	39.5	45	55	5.5	39.5	49.5	36	8	4	1.5	M4×0.7	16	2.8	7.5	-
25	37	47	6	34	41	47	57	6	41	51	42	10	4	2	M5×0.8	17	2.8	8	-
32	41.5	51.5	7	34.5	44.5	51.5	61.5	7	44.5	54.5	50	12	4	3	M6×1	22	2.8	9	-
40	43	53	7	36	46	53	63	7	46	56	58.5	12	4	3	M8×1.25	28	2.8	10	-
Bore /Symbol	O		P1						P3	P4	R	S	T1	T2	U	V	W	X	Y
12	M5×0.8		Double Side: φ 6.5 Thread : M5×0.8 Through Hole: φ 4.2						12	4.5	-	25	16.2	23	1.6	6	5	-	-
16	M5×0.8		Double Side: φ 6.5 Thread : M5×0.8 Through Hole: φ 4.2						12	4.5	-	29	19.8	28	1.6	6	5	-	-
20	M5×0.8		Double Side: φ 6.5 Thread : M5×0.8 Through Hole: φ 4.2						14	4.5	2	34	24	-	2.1	8	6	11.3	10
25	M5×0.8		Double Side: φ 8.2 Thread : M6×1.0 Through Hole: φ 4.6						15	5.5	2	40	28	-	3.1	10	8	12	10
32	G1/8		Double Side: φ 8.2 Thread : M6×1.0 Through Hole: φ 4.6						16	5.5	6	44	34	-	2.15	12	10	18.3	15
40	G1/8		Double Side: φ 10 Thread : M8×1.25 Through Hole: φ 6.5						20	7.5	6.5	52	40	-	2.25	16	14	21.3	16

SDA Series Thin Type Cylinder

● Dimensions

SDA,SSA,STA



Bore / Symbol	B2	E	F	G	H	I	J	K2	L	M	V	W
12	17	16	4	1	10	8	4	M5×0.8	10.2	2.8	6	5
16	17.5	16	4	1.5	10	8	4	M5×0.8	11	2.8	6	5
20	20.5	19	4	1.5	13	10	5	M6×1.0	16	2.8	8	6
25	23	21	4	2	15	12	6	M10×1.25	17	2.8	10	8
32	25	22	4	3	15	17	6	M14×1.5	22	2.8	12	10
40	35	32	4	3	25	19	8	M18×1.5	28	2.8	16	14
50	37	33	5	4	25	27	11	M18×1.5	38	2.8	20	17
63	37	33	5	4	25	27	11	M22×1.5	40	2.8	20	17
80	44	39	6	5	30	32	13	M22×1.5	45	4	25	22
100	50	45	7	5	35	36	13	M26×1.5	55	4	32	27